

1»

Before Installing



WARNING: Permit only qualified personnel to install or service the equipment. Use a forklift or crane to lift the scale.



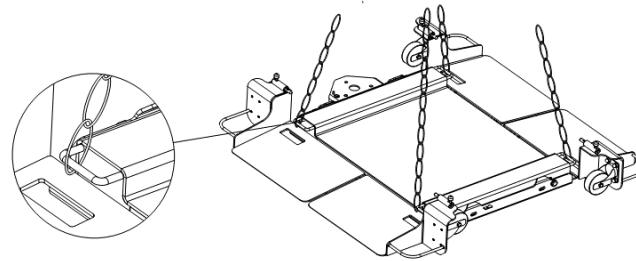
WARNING: Use extreme caution when lifting and moving the scale. Do not attempt to lift the scale manually, or injury could occur.

- ① Installation site requirements:
 - Level floor
 - Adequate support for rated capacity of scale
 - No vibration or drafts
 - No excessive temperature fluctuations
- ② Tools: Forklift or crane, Lifting straps or chains, Open-end wrench (16mm), Hex wrench (10mm)

2»

Position the Scale

- ① Attach chains or straps to the 4 handles. Lift the scale (platform and frame) with a forklift or crane.
- ② Place the scale on the installation site.



3»

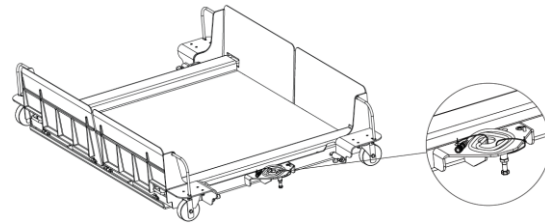
Install the Column

According to the scale size, choose the cable wiring methods A or B.

Scale size (m)	A: Route the cable to the column	B: Route the cable to the platform
0.65 x 0.65	✓	Not applicable
0.8 x 0.8	✓	
1.0 x 1.0	✓	
1.0 x 1.25	Not applicable	✓
1.25 x 1.25		✓
1.25 x 1.5		✓
1.5 x 1.5		✓

Method A: Route the Cable to the Column

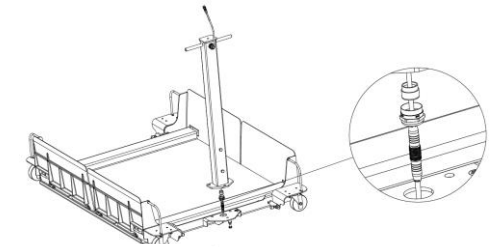
- ① Flip all ramps up. Cut the ties with scissors.



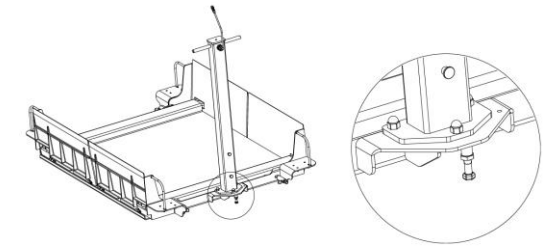
- ② Disassemble the cable gland at the bottom of the column. Take the sliding ring away from the cable.



- ③ Connect the column bottom cable to the cable from the platform, and tighten it by hand.



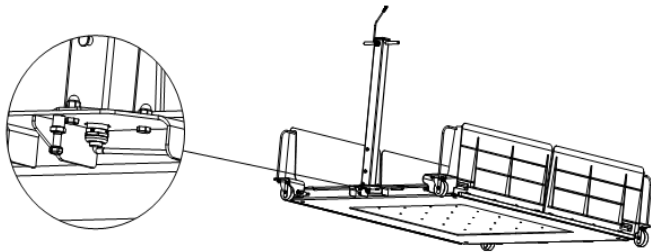
- ④ Insert the connected cable into the column gradually. Wrap the black sealing ring around the cable at about 100mm above the bracket, and pass it through the cable gland.



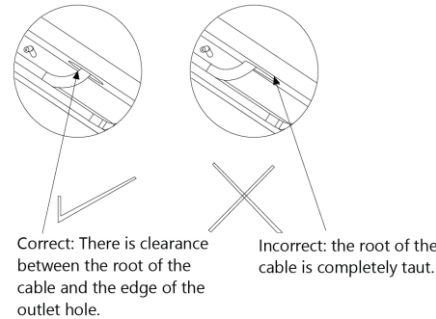
- ⑤ Bolt the column to the frame and fasten all of the bolts.

Method A: Route the Cable to the Column

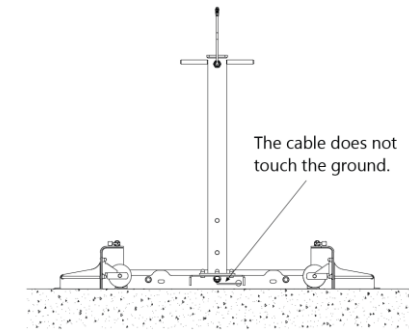
- ⑥ From the bottom of the bracket, screw three parts of the cable gland together (the cable gland should not be fully tightened). At the same time, draw the cable further into the column.



- ⑦ Make sure there is clearance between the root of the cable and the outlet. If the cable is too tight, pull out the cable until proper clearance is achieved.
- ⑧ Tighten the cable gland with a wrench. Check the black sealing ring, keep the length of the protruding end about 3-5mm.

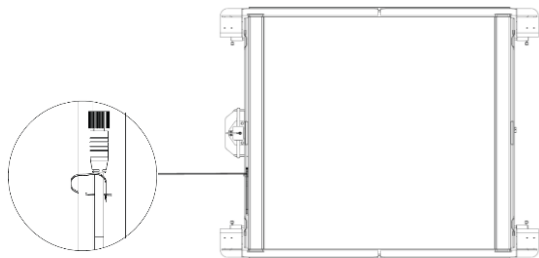


- ⑨ Put down the four ramps. Make sure the cable does not touch the ground. If the cable touches the ground, readjust the length of the cable and the black sealing ring protruding from the cable gland.
- ⑩ Tighten the bolts for mounting the column.

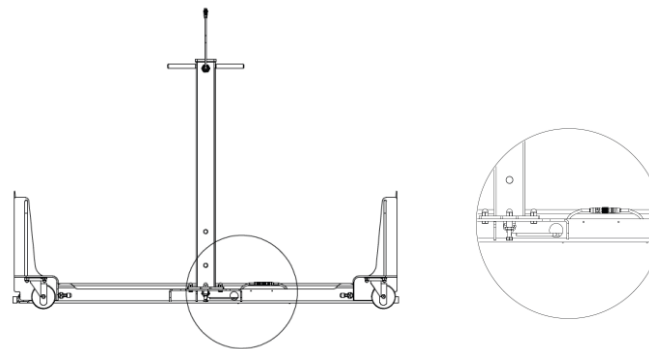


Method B: Route the Cable to the Platform

- ① The cable from the platform is attached to inside of the frame with tie. Cut the tie.
- ② The column status and the adjustment way are same as method A.



- ③ Attach the column to the frame with screws. Draw the cable a little out from the column. Pass the cable to the inside of the frame through the hole, and attached the two connectors.

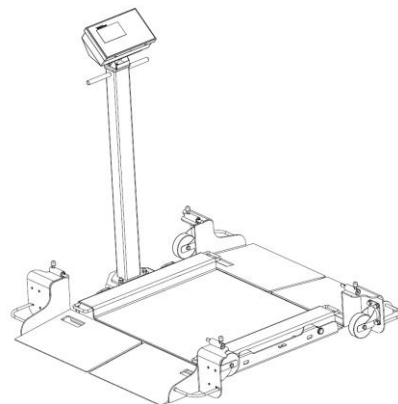


- ④ Insert the protruding cable into the outlet hole of the platform to ensure that the cable does not interfere with the platform inside the frame.
- ⑤ Put down the four ramps. Make sure the cable does not touch the ground. If the cable touches the ground, readjust the length of the cable and the black sealing ring protruding from the cable gland. For detail, refer to the figure in the method A.
- ⑥ Tighten the bolts for mounting the column.

4»

Install the Terminal Bracket

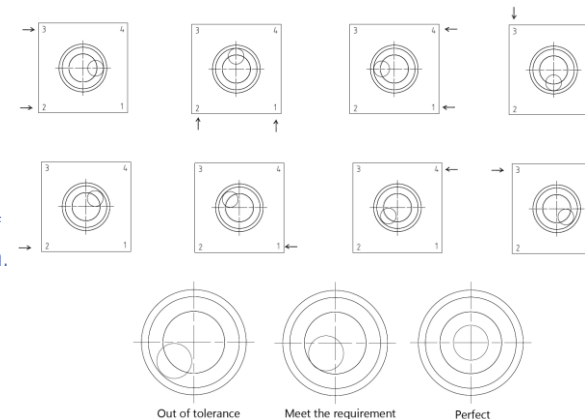
- 1 Install the terminal bracket and terminal.
- 2 Connect the cable to the terminal, adjust the length of the cable from the column if needed. And then, fasten the cable gland.



5»

Level the Scale

- 1 Use the bubble to level. Make sure the bubble is in the center of black circle.
- 2 If the bubble is not in the center, as indicated by the arrow, insert shims into the corresponding position of the frame to adjust the bubble to a horizontal position.



If you are installing an Ex version of PHD779 mobile scale in a hazardous area, please continue reading with the follows.

Special Condition of Use

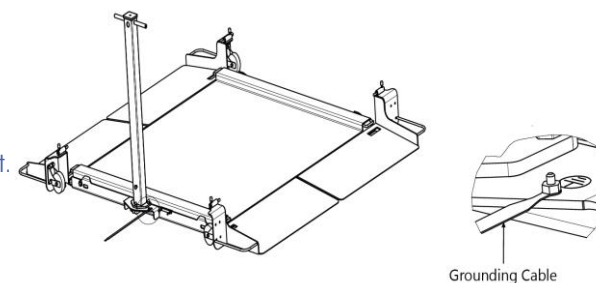
The following special condition of use for load cells must be fulfilled with for the Ex version of PHD779 mobile scale:

- The load cell shall be installed in such a way that the risk for mechanical damage is low.
- The equipment shall only be used in an area of not more than pollution degree 2, as defined in IEC 60664-1.

Equipotential Bonding

Grounding connections must be installed by a professional electrician when using the Ex version of PHD779 mobile scale in a hazardous area. METTLER TOLEDO Service only has a monitoring and consulting function here.

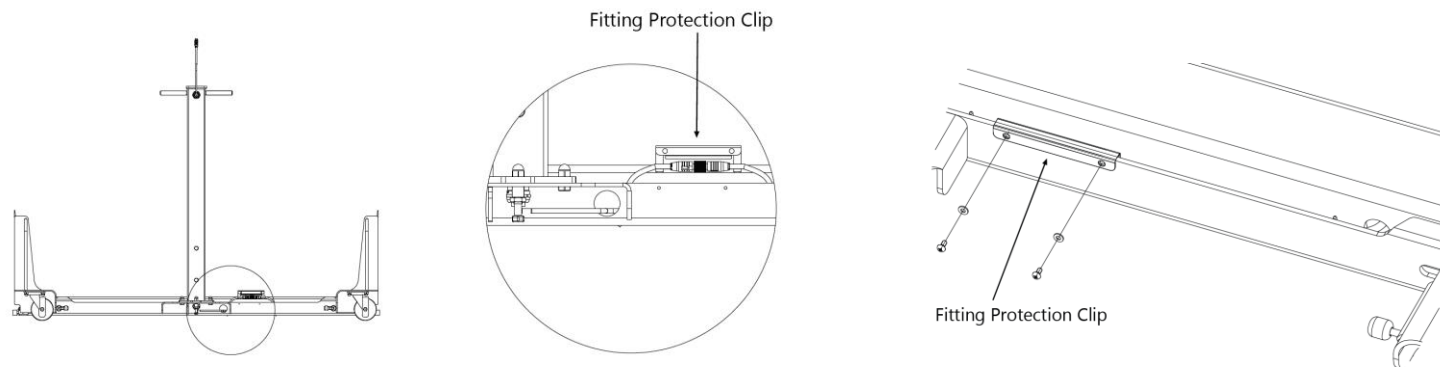
1. Wrap the grounding cable around the grounding post.
2. Secure grounding cable with M6 nut.
3. Connect the other end of the grounding cable to the customer's grounding.



Install Fitting Protection Clip

The Ex version of PHD779 mobile scale provides fitting protection clip to protect the Y-cable and the home-run cable connection when the scale is installed in a hazardous area.

1. Connect the Y cable to the home-run cable.
2. Cover the cable connectors with the fitting protection clip.
3. Place the fitting protection clip on the frame.
4. Align the holes in the frame and attach with two M4 bolts.



Compliance Document Download:

National approval documents, e.g., the FCC Supplier Declaration of Conformity, are available online and/or included in the packaging.

► www.mt.com/ComplianceSearch

Contact Information: www.mt.com/contact

© 2023 Mettler-Toledo LLC

06/2023 30793766 A

