

# Pallet Truck Scales



## **PJA Pallet Truck Scales**

Mix-and-Match Design

Safe or Hazardous Area Use

Seamless Data Collection



## **Mobile Weighing Solutions** Configurable to Your Needs

**METTLER TOLEDO**

# PJA Pallet Truck Scale Family

## Tailor to Your Mobile Weighing Needs

Today's manufacturing processes require significant control, process visibility, and measurements of heavy goods throughout a plant. Finding a scale that works reliably, supports efficiency and quality requirements, and is easy to integrate into existing automation systems is a challenge. The PJA Pallet Truck Scale family eliminates these common headaches, no matter your industry or weighing environment.



PJA simplifies and strengthens your operation.



### Implement Lean Manufacturing

Streamline your production when you weigh and travel at the same time, reducing time and money spent handling each batch. The flexibility of the PJA family allows you to save valuable space in your facility usually reserved for static weighing equipment and boost your throughput and productivity.



### Prevent Costly Batch Rework

Enable your operators to achieve consistent, accurate weighing results with the easy-to-use scale interface and incline sensor, which alerts users of uneven ground conditions that could negatively affect scale readings. These intuitive features create tangible savings by eliminating operator errors and costly rework.



### Never Miss a Data Point Again

Integrate weighing directly into your logistics process with Wi-Fi connectivity. Seamless, real-time data collection and visualization across both safe and hazardous areas will save time on documentation, ensure accurate records, and enable quicker decision-making to keep your operation running smoothly.



### Ensure Safety in Hazardous Areas

Simplify equipment integration and operator training by selecting the pallet truck scale approved for use in both safe and hazardous areas. The PJA scale with intrinsically safe components can be used in the presence of volatile solvents or dusts, which provides flexibility and minimizes manual product handling.

Up to 30%  
Higher  
Productivity

Reduced Costs  
Related to  
Operator Error

End-to-End  
Data  
Traceability

Integrated  
Safety and  
Compliance

# Design Your Ideal Solution

## No More One-Size-Fits-All

Seamlessly integrate weighing into your processes by building the solution that satisfies your unique requirements. These easy-to-order pallet truck scales offer a wide range of features that can be mixed-and-matched to meet the challenges of your application – from varying load sizes and capacities to easy cleanability or hazardous area safety.

[www.mt.com/PJA](http://www.mt.com/PJA)

### Select Your Body Material

Design your pallet truck scale for maximum durability based on your specific weighing application. To accommodate a variety of needs, the PJA family offers a mild painted steel material for dry environments and a stainless steel option for corrosive or wet environments. These can also be combined for a painted steel body with stainless steel fork shoes.



### Select Your Fork Size

Choose the best fit for your needs with customizable fork shoe dimensions. Sizing options include both length and width. Never worry about ordering extensions, modifying your pallets, or getting incorrect weight readings due to poorly fitted equipment.



### Ideal for GMP Facilities

Reduce contamination risk with the following features, which are included with the stainless steel design:

- All welds are continuous and polished.
- All surfaces are electropolished.
- The fork surfaces are completely closed.
- The underside of the forks are open.
- All bearings are made of lubrication-free polymers.



“ The PJA customization process was simple, and we immediately realized a boost in efficiency without having to change the process at all. ”

Operations Manager



### Select Your Indicator

Optimize your weighing process by choosing the best fit from our wide range of indicator options. Consider your weighing environment, frequency of use, precision needs, and connectivity requirements to identify the model that fully supports your operation.

### Safe Area Weighing Applications



ICS439

ICS469

ICS689

### Hazardous Area Weighing Applications

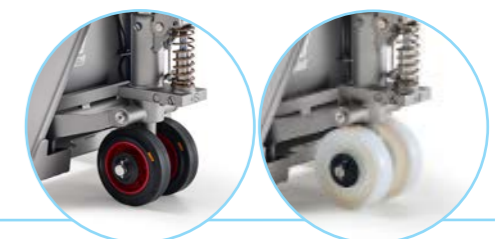


IND256x

Learn more at: [www.mt.com/Indicators](http://www.mt.com/Indicators)

### Select Your Wheels

Match your wheels to your environment to achieve effortless steering and mobile efficiency. For safe area applications, we offer rubber, polyurethane, and nylon options; for hazardous area applications, you can be confident in the safety of your pallet truck with anti-static rubber material.

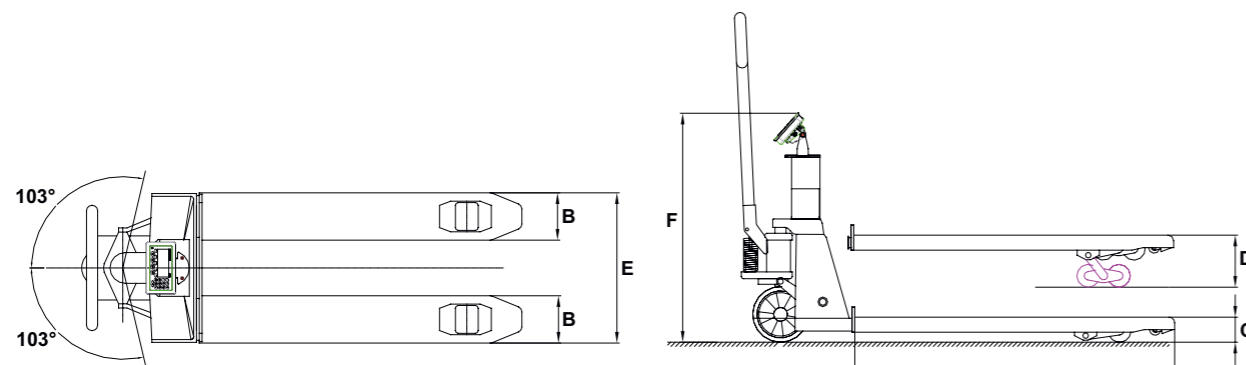


# PJA334 Pallet Truck Scales

## Technical Features Standard Level

Process Weighing Accuracy		Typical Values*		
Capacity	Readability	Repeatability sd (at max. load)	Error of indication (at half load)	Error of indication (at full load)
1500 (600/1,500) kg	0.2/0.5 kg d MR	60 g	90 g	120 g
2000 (1,000/2,000) kg	0.5/1 kg d MR	70 g	100 g	150 g
Platform Size				
Fork Length	A Optional	1150/950/1400 mm		
Fork Width	B	180 mm		
Lowered Fork Height	C	90 mm		
Maximum Fork Height	D	210 mm		
Width over Forks	E Optional	555/690 mm		
Height to Top Indicator	F	800 mm		
Additional Features and Specifications Platform Performance				
Pallet Truck Platform Material	Standard	Mild steel painted		
Ingress Protection	Standard	System IP65; Indicator IP67		
Steering Wheels	Optional	Rubber / Polyurethane		
Loading Wheels	Standard	Polyurethane, Tandem		
Indicator Bracket	Optional	Fixed / Rotating		
Capacity of Battery	Standard	Pb battery, 1.2Ah		
Battery Life	Standard	5 hours		
Charging Hours	Standard	6 hours		
Automatic Switch-off	Standard	After 15 minutes		
Indicator	Standard	ICS439		

\* At room temperature and stable environmental conditions without vibration and draft, with automated weight placement.



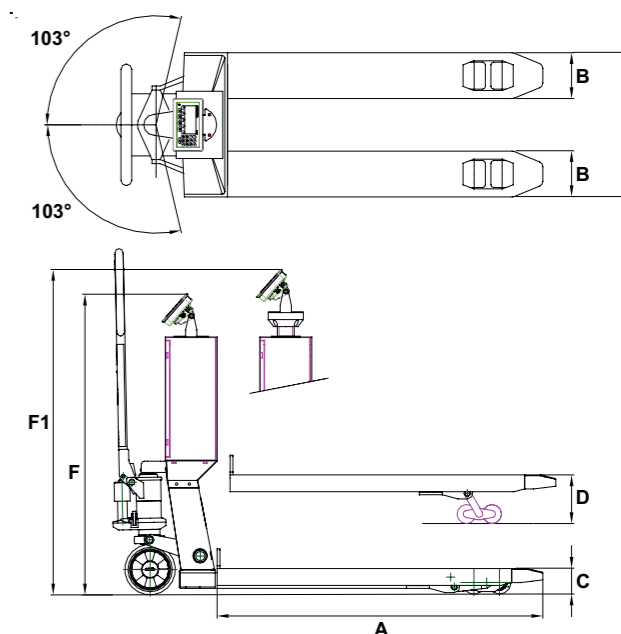
# PJA43\_ Pallet Truck Scales

## Technical Features Advanced Level



Process Weighing Accuracy		Typical Values*			Configurable Indicator		
Capacity	Readability	Repeatability sd (at max. load)	Error of indication (at half load)	Error of indication (at full load)	ICS439	ICS469	ICS689
600 (300/600) kg	0.1/0.2kg d MR	30 g	50 g	60 g	●	●	●
1,000 kg	0.2 kg d				●	●	●
1,000 kg	0.1 kg d				●	●	●
1,500 (600/1,500) kg	0.2/0.5 kg d MR	60 g	90 g	120 g	●	●	●
2,000 (1,000/2,000) kg	0.5/1 kg d MR	70 g	100 g	150 g	●	●	●
2,500 (1,500/2,500) kg	0.5/1 kg d MR	100 g	150 g	200 g	●	●	●
3,000 (1,500/3,000) kg	1/2 kg d MR	150 g	200 g	250 g	●	●	●
<b>Approved Accuracy</b>							
600 kg	0.2 kg e	30 g	50 g	60 g	●	●	●
1,500 (600/1,500) kg	0.2/0.5 kg e MR	60 g	90 g	120 g	●	●	●
2,000 (1,000/2,000) kg	0.5/1kg e MR	70 g	100 g	150 g	●	●	●
2,500 (1,500/2,500) kg	0.5/1kg e MR	100 g	150 g	200 g	●	●	●
3,000 (1,500/3,000) kg	1/2kg e MR	150 g	200 g	250 g	●	●	●
<b>Platform Size</b>							
Fork Length	A Optional	1150/950/1400 mm			●	●	●
Fork Width	B	160 mm			●	●	●
Lowered Fork Height	C Optional	90/85 mm			●	●	●
Maximum Fork Height	D	200 mm			●	●	●
Width over Forks	E Optional	550/690 mm			●	●	●
Height to Top of Indicator	F	1215 - 1335 mm			●	●	●
<b>Additional Features and Specifications</b>							
Pallet Truck Platform Material	Optional	PJA434 Mild Steel Painted; PJA439 Stainless Steel			●	●	●
Ingress Protection	Standard	System IP65; Indicator IP67			●	●	●
GMP	Optional	Only available on stainless platform			●	●	●
Steering Wheels	Optional	PJA434 Rubber/Polyurethane; PJA439 Nylon/Polyurethane			●	●	●
Loading Wheels	Optional	Polyurethane, Tandem / Nylon, Tandem			●	●	●
Foot Brake	Optional	(-)			●	●	●
Pump Lock	Optional	(-)			●	●	●
Indicator Bracket	Optional	Fixed / Rotating			●	●	●
Capacity of Battery	Optional	Pb battery, 12 V, 7 Ah / NiMH battery, 12 V, 4.8 Ah			●	●	●
Battery Life	(-)	Pb battery, weak backlight brightness, no WiFi, no printer			25 hours	25 hours	20 hours
		NiMH battery, weak backlight brightness, no WiFi, no printer			16 hours	16 hours	15 hours
Charging	(-)	8 hours			-	-	-
Automatic Switch-off	(-)	After 15 minutes			●	●	●
Printer	Optional	None / Thermal / Matrix			●	●	●
Configurable Indicator	Optional	(-)			●	●	●
WiFi	Optional	Only available on ICS689 WiFi			-	-	●
NMI Certificate	Optional	NMI Type Approval (T5920)			●	●	●

\* At room temperature and stable environmental conditions without vibration and draft, with automated weight placement.



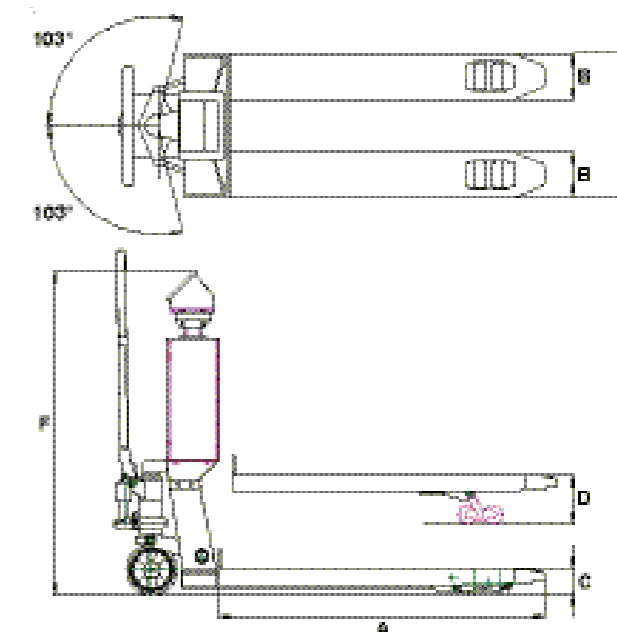
# PJA43\_x Pallet Truck Scales

## Technical Features Hazardous Area Applications



Process Weighing Accuracy		Typical Values*			Configurable Indicator
Capacity	Readability	Repeatability sd (at max. load)	Error of indication (at half load)	Error of indication (at full load)	IND256x
600 (300/600) kg	0.1/0.2kg d MR	30 g	50 g	60 g	●
1,000 kg	0.2 kg d	50 g	80 g	100 g	●
1,000 kg	0.1 kg d				●
1,500 (600/1,500) kg	0.2/0.5 kg d MR	60 g	90 g	120 g	●
2,000 (1,000/2,000) kg	0.5/1 kg d MR	70 g	100 g	150 g	●
2,500 (1,500/2,500) kg	0.5/1 kg d MR	100 g	150 g	200 g	●
3,000 (1,500/3,000) kg	1/2 kg d MR	150 g	200 g	250 g	●
<b>Approved Accuracy</b>					
2,000 (1,000/2,000) kg	0.5/1 kg e MR	70 g	100 g	150 g	●
2,500 (1,000/2,500) kg	0.5/1 kg e MR	100 g	150 g	200 g	●
3,000 (1,500/3,000) kg	1/2 kg e MR	150 g	200 g	250 g	●
<b>Platform Size</b>					
Fork Length	A optional	1150/950/1400 mm			●
Fork Width	B	160 mm			●
Lowered Fork Height	C optional	90/85 mm			●
Maximum Fork Height	D	200 mm			●
Width over Forks	E	550/690 mm			●
Height to Top of Indicator	F	1225 mm			●
<b>Additional Features and Specifications</b>					
Pallet Truck Platform Material	Optional	PJA434x Mild Steel Painted; PJA439x Stainless Steel			●
Ingress Protection	Optional	System IP65; Indicator IP67			●
GMP	Optional	Only available on stainless platform			●
Steering Wheels	Standard	Rubber, anti-static			●
Loading Wheels	Optional	Polyurethane, Tandem / Nylon, Tandem			●
Foot Brake	Optional	(-)			●
Pump Lock	Optional	(-)			●
Indicator Bracket	Standard	Rotating			●
Capacity of Battery	Standard	(-)			8 Ah
Battery Life	Standard	(-)			60 hours / 40 hours (WiFi)
Charging	Standard	(-)			6 hours
Automatic Switch-off	Optional	After 15 minutes			●
WiFi	Optional	Only available on IND256x WiFi			●
NMI Certificate	Optional	NMI Type Approval (T5920)			●
ATEX Certificate	Optional	Dekra 13 ATEX 0044 X II 2 G Ex ib IIC T4 Gb; II 2D Ex tb [ib] IIIC T60°C Db, -10°C ≤ Ta ≤ +40°C (PJA43*-IND256x) II 2 G Ex ib IIB T4 Gb; II 2D Ex tb [ib] IIIC T60°C Db, -10°C ≤ Ta ≤ +40°C (PJA43*-IND256xW)			●

\* At room temperature and stable environmental conditions without vibration and draft, with automated weight placement.



# Explore Our Service Solutions

## Tailored to Fit Your Equipment Needs

METTLER TOLEDO Service delivers resources to enhance your efficiency, performance and productivity by providing service packages that fit your operational needs, maximize your equipment lifetime, and protect your pallet truck scale investment.

[www.mt.com/IND-Service](http://www.mt.com/IND-Service)



### Start with professional installation

Installation services include support for your unique production situation:

- Professional IQ/OQ/PQ/MQ documentation
- Initial calibration and confirmation of fit-for-purpose
- Hazardous area installations



### Extend your warranty coverage

Add two years of preventive maintenance and repair coverage to protect your pallet truck scale purchase and achieve maximum productivity and budget control.



### Maintain accuracy over time

Receive professional guidance, (GWP Verification™) including a routine testing plan that specifies four key factors to maximize your efficiency and ensure quality:

- Tests to perform
- Weights to use
- Testing frequency
- Tolerances to apply



### Schedule maintenance

Full preventative maintenance plans offer inspection, functional testing, and proactive replacement of worn parts.

Health inspections offer a full assessment of current condition with professional maintenance recommendations.

### Calibrate for quality and compliance

**GWP®**

Professional Accuracy Calibration Certificate (ACC) determines measurement uncertainty in use over the entire weighing range. Corresponding annexes give a clear pass/fail statement for specific tolerances applied, such as fit-for-purpose (GWP®), OIML R76, NTEP HB44, or further regulations.

[www.mt.com/PJA](http://www.mt.com/PJA)

For more information



#### METTLER TOLEDO Group

Industrial Division

Local contact: [www.mt.com/contacts](http://www.mt.com/contacts)

Subject to technical changes

©05/2021 METTLER TOLEDO. All rights reserved

Document No. 30375727 A

MarCom Industrial